



ENGLISH

DEUTSCH

FRANÇAIS

ITALIANO

ESPAÑOL

中文

## MULTI-FORMAT SDI UNIT

BEDIENUNGSANLEITUNG : MULTI-SYSTEM SDI-GERÄT  
MANUEL D'INSTRUCTIONS : UNITÉ SDI MULTI-FORMAT  
ISTRUZIONI : UNITÀ SDI MULTI-FORMATO  
MANUAL DE INSTRUCCIONES : UNIDAD SDI MULTIFORMATO  
使用说明书 : 多格式 SDI 机

# IF-C151HDG

# INSTRUCTIONS

MULTI-FORMAT SDI UNIT FOR A JVC MONITOR

MULTI-SYSTEM SDI-GERÄT FÜR EINEN JVC-MONITOR

UNITÉ SDI MULTI-FORMAT POUR MONITEUR JVC

UNITÀ SDI MULTI-FORMATO PER MONITOR JVC

UNIDAD SDI MULTIFORMATO PARA MONITOR JVC

JVC 监视器用多格式 SDI 机

Thank you for purchasing this JVC Multi-Format SDI Unit. In order to take full advantage of the unit's capabilities, please read and follow all instructions carefully before installing and using the unit. Retain this booklet for future reference.

## Precautions



Before installing this unit in your monitor, please read the Safety Precautions included in your monitor's user manual.

### FCC NOTICE (U.S.A. only)

**CAUTION:** Changes or modifications not approved by JVC could void the user's authority to operate the equipment.

**NOTE:** This equipment has been tested and found to comply with the limits for a Class A digital device, pursuant to Part 15 of the FCC Rules. These limits are designed to provide reasonable protection against harmful interference when the equipment is operated in a commercial environment. This equipment generates, uses, and can radiate radio frequency energy and, if not installed and used in accordance with the instruction manual, may cause harmful interference to radio communications. Operation of this equipment in a residential area is likely to cause harmful interference in which case the user will be required to correct the interference at his own expense.

### EMC Supplement (Europe only)

This equipment is in conformity with the provisions and protection requirements of the corresponding European Directives. This equipment is designed for professional video appliances and can be used in the following environments:

- Controlled EMC environment (for example purpose built broadcasting or recording studio), and the rural outdoors environment (far away from railways, transmitters, overhead power lines, etc.)

**IF-C151HDG is only for use with the monitor specified. Consult your dealer about the monitor which can be used with IF-C151HDG.**

## Features

- Both HD SDI and SD SDI signals can be input through one terminal.  
The signal type (HD SDI or SD SDI) coming through the terminal is automatically detected.
- Two input lines enables highly general use.  
Input lines can be switched by external control—make contact control, trigger pulse control, and RS-485 control.
- AUDIO LEVEL METER enables checking the audio level of the EMBEDDED AUDIO signal input.
- Two channels of audio monitor output enables EMBEDDED AUDIO signal to be output as analogue signal.  
Output channels can be switched by using the monitor or an RS-485 control.

## Accessories

Make sure that the following items are contained:

- Input unit (x 1)
- Cover (x 1)
- Wire connector (x 1)
- Screw (x 8)

# Installation

## ■ Preparation

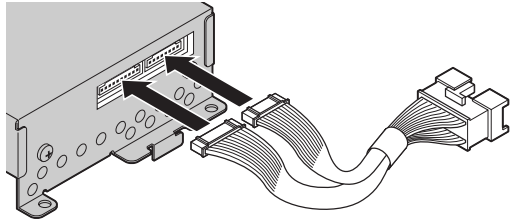
- Wear gloves to protect your hands from metal parts on the unit.
- You will need a 6 mm Phillips screwdriver.
- Turn off the Monitor's main power and unplug the power cable from the AC outlet.

## ■ Cautions

- Do not touch the wires or board pattern inside of the unit to keep them from being damaged.
- Do not put any object into the unit from the holes on the unit.
- Do not force to tighten the screws when attaching the unit to the monitor.
- Keep the connector cover attached to the monitor's connector if the unit is not attached to the monitor.
- Do not touch the connector on the right side of the unit. This connector is used only for servicing.

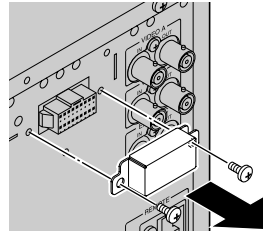
### 1. Attach the wire connector to the connector on the input unit.

Attach the wire connector fully to the input unit's connector.

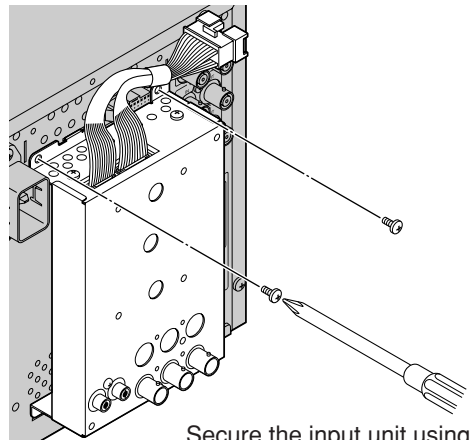
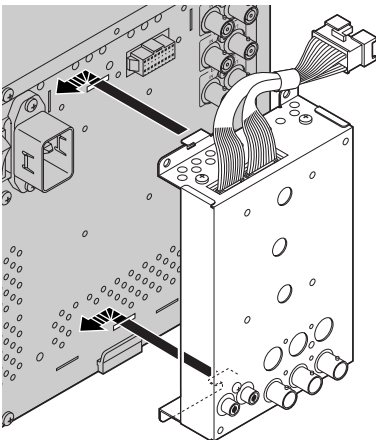


### 2. Take out the screws and remove the connector cover from the monitor.

- Do not take out other screws than the ones used for the connector cover.
- Keep the connector cover and the screws after removing.



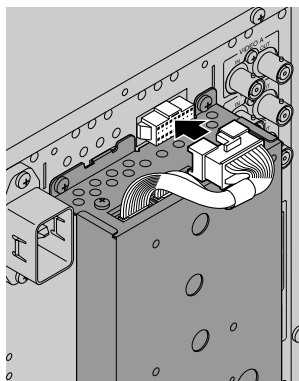
### 3. Attach the input unit to the monitor as illustrated.



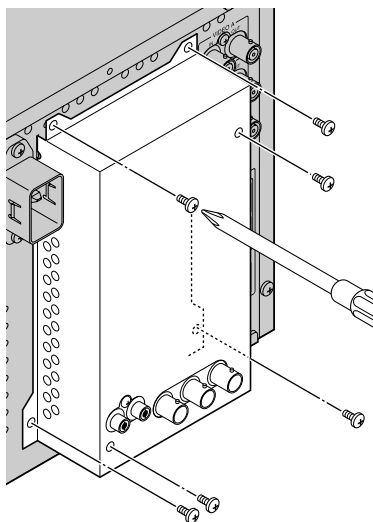
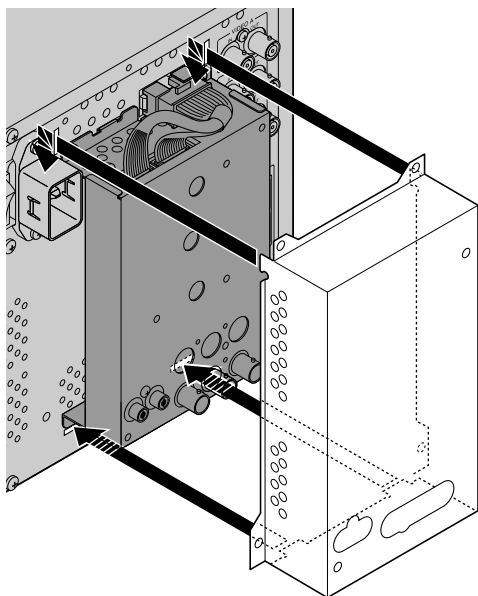
Secure the input unit using the supplied screws (x 2).

**4. Attach the wire connector to the connector on the monitor.**

Attach the wire connector fully to the monitor's connector.



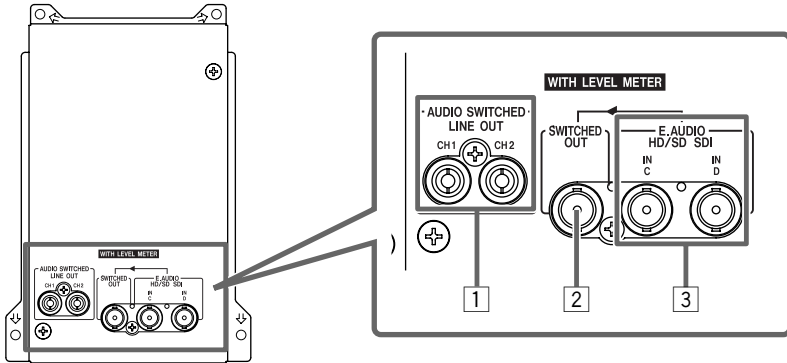
**5. Attach the cover to the monitor as illustrated.**



Secure the cover using the supplied screws (x 6).

Make sure to prevent the wire from being caught in between the cover and the monitor.

# Controls and Features



## 1 Audio output terminals (2 lines)

Decodes EMBEDDED AUDIO signals and outputs them as analogue signals.

➔ See the table below for the combinations of the audio channels output from the CH1 or CH2 terminal.

Audio output modes	Audio output terminals	
	CH1	CH2
1ch	channel 1	channel 2
2ch	channel 2	channel 2
3ch	channel 3	channel 4
4ch	channel 4	channel 4
5ch	channel 5	channel 6
6ch	channel 6	channel 6
7ch	channel 7	channel 8
8ch	channel 8	channel 8
1–2ch	channels 1+2	channels 1+2
3–4ch	channels 3+4	channels 3+4
5–6ch	channels 5+6	channels 5+6
7–8ch	channels 7+8	channels 7+8
1–4ch	channels 1–4	channels 1–4
5–8ch	channels 5–8	channels 5–8
AUTO*	channels 1–8	channels 1–8

\* The AUTO setting mixes and outputs all 8 signal channels. The output level is automatically set by detecting the number of channels the signal has.

## About the audio output level

When several audio channels are output at the same time, the more channels are selected, the lower each channel's level will be. (Each channel's level becomes half for 1–2ch, quarter for 1–4ch.)

### NOTES:

- When you change the monitor's input to INPUT A or B, the audio signals and channels of INPUT C or D selected last time are output from these terminals.
- The audio signal is output from these terminals only when the monitor is turned on.

**To select the audio channel:**

Using the MENU control on the monitor, you can select the audio channel output from the audio output terminal.

Set the group of the audio output modes you want to select on the monitor beforehand. For more details, refer to the monitor's manual.

**2 SWITCHED OUT terminal (1 line)**

Outputs the re-clocked signal.

- The input signal (INPUT C or D) currently selected on the monitor is output from this terminal.

**NOTES:**

- When you change the monitor's input to INPUT A or B, the signal of INPUT C or D selected last time is output from this terminal.
- The signal is output from this terminal only when the monitor is turned on.

**3 HD SDI/SD SDI, EMBEDDED AUDIO signal input terminals (IN C, IN D)**

Accepts the following signals:

- SMPTE292M HD SDI signal
- SMPTE259M SD SDI signal
- EMBEDDED AUDIO signals including up to 8 audio channels with the sampling frequency of 48 kHz.

➔ Select the input using the INPUT SELECT button on the monitor.

**To Select IN C terminal:** Press the INPUT SELECT C button.

**To Select IN D terminal:** Press the INPUT SELECT D button.

**About the AUDIO LEVEL METER function**

You can check the conditions of the current EMBEDDED AUDIO signals on the AUDIO LEVEL METER display.

You can turn on/off the AUDIO LEVEL METER display or change its settings using the menu on the monitor.

For more details, refer to the monitor's manual.

**NOTE:**

The type of signal coming through the IN C and IN D terminals are automatically recognized—HD SDI or SD SDI signal. Note, however, that input lines are not changed automatically.

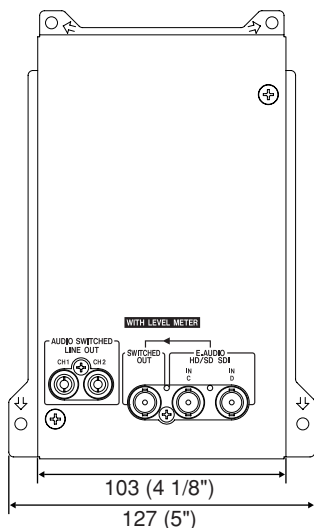
# Specifications

<b>Model:</b>	IF-C151HDG
<b>Type:</b>	Multi-Format SDI Unit
<b>Target monitors:</b>	Consult your dealer.
<b>Input/Output terminals:</b>	Digital signal input terminals (compatible with EMBEDDED AUDIO signal) HD/SD SDI (IN C/IN D): auto detection, 2 lines, BNC connector x 2 Digital signal output terminal (compatible with EMBEDDED AUDIO signal) SWITCHED OUT: 1 line switched out, BNC connector x 1 Analogue audio output terminal AUDIO SWITCHED LINE OUT: 2 lines, RCA connector x 2 (250 mV (rms), high impedance (-18 dB FS))
<b>Format:</b>	HD SDI: BTA S-004B, SMPTE292M SD SDI: ITU-R BT.601: 525/625 SMPTE259M: 525 EMBEDDED AUDIO: SMPTE299M, SMPTE272M
<b>Compliant signal format:</b>	720/60p, 1080/60i, 1035/60i*, 1080/50i, 1080/24psF, 720/50p, 480/60i, 576/50i, EMBEDDED AUDIO * 1035/60i is not pre-set on the monitor. To input signals of this format, some setup adjustments on the monitor are required.
<b>Power consumption:</b>	0.05 A (12 V DC) / 0.2 A (5 V DC) / 0.4 A (3.3 V DC) / 0.5 A (2.5 V DC)
<b>Weight:</b>	0.7 kg (1.6 lbs)
<b>Dimensions (W x H x D):</b>	127 mm (5") x 185.9 mm (7 3/8") x 56.9 mm (2 1/4")

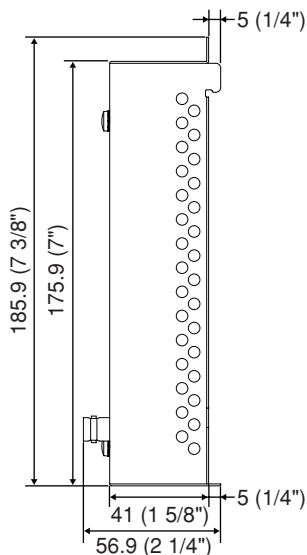
## ■ Dimensions

Unit: mm (inch)

<Front View> (Terminal Side)



<Side View>



---

**JVC**